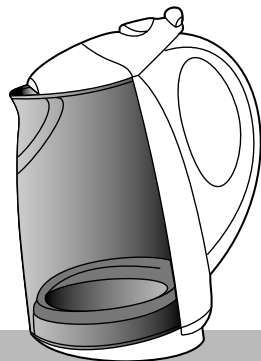


Reflect glass kettle



Please read and keep these instructions



getting the best from your new kettle...

- **Important:**

When filling from a tap, care must be taken to avoid striking the glass body on the tap.

- **Empty the water out of the kettle after first boiling**

To clean away any deposits that are left in the kettle after the manufacturing process

- **Descale as appropriate for the hardness of the water in your area**

It is important to descale as the performance of the kettle and auto switch-off will be impaired

- **Safety first**

Always pour water slowly and carefully to prevent the splashing of scalding water.

- **Fast boil kettles perform differently**

If your kettle is a fast boil model, it may sound louder during boiling and switch off suddenly with no after noise - this is normal.

OUST

2year
guarantee



Important safety instructions

The use of any electrical appliance requires the following common sense safety rules.

Primarily there is danger of injury or death and secondly the danger of damage to the appliance. These are indicated in the text by the following two conventions:

WARNING: Danger to the person!
IMPORTANT: Damage to the appliance! In addition we offer the following safety advice.

Location

- Always locate your kettle away from the edge of the worktop.
- Ensure that the kettle is used on a firm, flat surface.
- Do not use the kettle outdoors or in a bathroom.
- **WARNING: Do not place the kettle onto a metal tray or metal surface whilst in use.**

Children

- Children do not understand the dangers associated with operating electrical appliances. Never allow children to use this appliance.
- Teach children to be aware of dangers in the kitchen, warn them of the dangers of reaching up to areas where they cannot see properly or should not be reaching.

Mains lead

- The mains lead should reach from the socket to the base unit without straining the connections. Reduce the length of the lead by storing the excess in the cord storage facility in the base unit.
- Do not let the mains lead hang over the edge of the worktop where a child could reach it.
- Do not let the lead run across an open space e.g. between a low socket and table.

- Do not let the lead run across a cooker or toaster or other hot area which might damage the cable.
- Do not place the kettle where the mains lead could fall into a sink.

Your safety

- Always pour hot water slowly and carefully without tipping the kettle too fast to prevent splashing and spillage.
- Extreme caution must be used when moving a kettle containing hot water.
- Do not touch hot surfaces. Use handles or knobs.
- Always close the lid securely, otherwise the kettle may not switch off automatically and may spit out boiling water.
- Avoid contact with steam from the spout when the water is boiling or just after it has switched off.
- Take care if opening the lid for re-filling when the kettle is hot.
- Do not fill above the MAX mark, otherwise boiling water may be ejected.
- Do not hold the switch in the on position or tamper with the switch to fix it in the on position as this may cause damage to the switch-off mechanism.
- Unplug from the outlet before cleaning.
- Allow to cool before putting on or taking off parts and before cleaning.

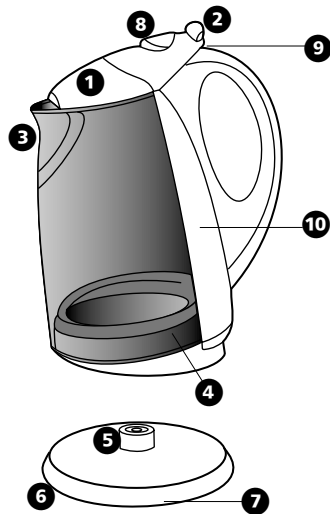
Treating scalds

- Run cold water over the affected area immediately. Do not stop to remove clothing, get medical help quickly.

Other safety considerations

- To protect against fire, electric shock and personal injury do not immerse cord, plug or kettle in water or any other liquid.
- Do not operate any appliance with a damaged cord or plug or after the appliance malfunctions or has been damaged in any manner. Ring the helpline number for advice on examination and repair.

- The use of attachments or tools not recommended or sold by Morphy Richards may cause fire, electric shock or injury.
- Do not attempt to connect any other appliance to the base unit or this appliance to another base unit.
- Do not tamper with the connector in any way.
- Do not use the kettle for any use other than to boil water.
- Do not use outdoors.
- Do not place the kettle on or near a hot gas or electric burner or in a heated oven.
- The kettle must not be on the base unit when being filled with water.
- The mains lead of the cordless base cannot be repaired. If the mains lead is damaged, the cordless base should be discarded and replaced.
- Unplug from the outlet when not in use.



Features

- ❶ Lid
- ❷ Lid release button
- ❸ Spout filter
- ❹ Concealed element
- ❺ 360° connector
- ❻ Cordless base unit
- ❼ Cord storage
- ❽ On/off switch
- ❾ Power on neon
- ❿ Water level indicator

Electrical requirements

Check that the voltage on the rating plate of your appliance corresponds with your house electricity supply which must be A.C. (Alternating current).

For appliances with fitted plug.

If the socket outlets in your home are not suitable for the plug supplied with this appliance the plug should be removed and the appropriate one fitted.

IMPORTANT : THE PLUG REMOVED FROM THE MAINS LEAD, IF SEVERED, MUST BE DESTROYED AS A PLUG WITH A BARED FLEXIBLE CORD IS HAZARDOUS IF ENGAGED INTO A LIVE SOCKET OUTLET.

Should the fuse in the 13 amp plug require changing a 13 amp BS1362 fuse must be fitted.

WARNING: THIS APPLIANCE MUST BE EARTHED.

Using

- 1 Wherever possible fill through the spout, as this helps to free the filter from limescale build-up.
The kettle can also be filled through the lid. Use the lid release button ❷ to open.
- The clear glass body of the kettle allows you to easily see the amount of water in the kettle.
- IMPORTANT : When filling from a tap, care must be taken to avoid striking the glass body on the tap.
- Always ensure that the level of water in the kettle is filled to at least the minimum level shown on the water level indicator.
- Boil only as much water as you need as this saves electricity.
- 2 Place the kettle on the base unit, ensuring the kettle locates on to the 360° connector.
- The 360° connector allows the kettle to be located at any position. - ideal for left and right handed users and for convenient positioning on worktop.
- 3 Plug in and switch on at the wall socket.
- 4 Switch the kettle on. The 'power on' neon, will light up.
- 5 When the water boils the kettle will switch off automatically.
- If you are using the kettle for the first time, pour away the boiled water and refill.
- 6 Lift the kettle from the base unit by the handle ensuring you hold the kettle level.
- To re-boil, switch to ON again. If the kettle has just switched off wait a minute or so before switching it back on again.
- If you do not put in enough water, or switch on the kettle when it is empty, the safety cut-out will switch off the power automatically. If this happens, refill and wait a few minutes for the element to cool, then use as normal.

Filter removal

- 1 Open the lid using the release button ❷.
- 2 Lift the filter upwards to remove.
- 3 To refit the filter, slide it into the side guides of the filter holder until it clicks into place. Ensure the filter is correctly located.

WARNING: Unless the filter is fitted correctly, the kettle lid may not close and the kettle may not switch off after boiling.

Descaling

IMPORTANT: As this kettle is fitted with a concealed element it must be descaled regularly. Frequency of descaling depends on usage and the hardness of the water in your area.

Excessive scale can cause the kettle to switch off before boiling and may damage the element invalidating the warranty.

It is essential that regular descaling takes place.

Remove hard scale using a proprietary descaling product suitable for glass kettles.

We recommend Oust All Purpose Descaler (please follow the instructions carefully) which may be purchased from our Helpline or from your local retailer.



Alternatively use citric acid crystals (available from most pharmacies) as follows.

- 1 Fill the kettle $\frac{3}{4}$ full, boil, then unplug the kettle (remove the cordless kettle from the base unit) and stand it in an empty sink or bowl.
- 2 Add 50gm of citric acid crystals to the water gradually, then leave the kettle to stand. Do not use a more concentrated solution.
- 3 As soon as the effervescence subsides, empty the kettle and rinse it thoroughly with cold water.
- 4 Wipe the outside of the kettle thoroughly with a damp cloth to remove all traces of acid which may damage the finish.

IMPORTANT: Ensure that the electrical connections are completely dry before using the kettle.

Cleaning

WARNING: Always disconnect the plug from the mains and allow the kettle to cool before cleaning.

Wipe the outside with a damp cloth.

IMPORTANT: Do not use abrasive cleaners on the outside of the kettle which may scratch the surface.

Helpline

If you have any difficulty with your appliance, do not hesitate to call us. We're more likely to be able to help than the store from where you bought it.

Please have the following information ready to enable our staff to deal with your query quickly:

- Name of the product
- Model number as shown on the underside of the appliance.



Your two year guarantee

It is important to retain the retailers receipt as proof of purchase. Staple your receipt to this back cover for future reference.

Please quote the following information if the product develops a fault. These numbers can be found on the base of the product.

Model no. Serial no.

All Morphy Richards products are individually tested before leaving the factory. In the unlikely event of any appliance proving to be faulty within 28 days of purchase it should be returned to the place of purchase for it to be replaced.

If the fault develops after 28 days and within 24 months of original purchase, you should contact the Helpline number quoting Model number and Serial number on the product, or write to Morphy Richards at the address shown.

You will be asked to return the product (in secure, adequate packaging) to the address below along with a copy of proof of purchase.

Subject to the exclusions set out below (see Exclusions) the faulty appliance will then be repaired or replaced and dispatched usually within 7 working days of receipt.

If for any reason this item is replaced during the 2 year guarantee period, the guarantee on the new item will be calculated from original purchase date. Therefore it is vital to retain your original till receipt or invoice to indicate the date of initial purchase.

Morphy Richards products are intended for household use only.

Morphy Richards has a policy of continuous improvement in product quality and design. The company, therefore reserves the right to change the specification of its models at any time.

To qualify for the 2 year guarantee the appliance must have been used according to the manufacturers instructions. For example kettles should have been regularly descaled.

EXCLUSIONS

Morphy Richards shall not be liable to replace or repair the goods under the terms of the guarantee where:

- 1 The fault has been caused or is attributable to accidental use, misuse, negligent use or used contrary to the manufacturers recommendations or where the fault has been caused by power surges or damage caused in transit.
- 2 The appliance has been used on a voltage supply other than that stamped on the products.
- 3 Repairs have been attempted by persons other than our service staff (or authorised dealer).
- 4 Where the appliance has been used for hire purposes or non domestic use.
- 5 Morphy Richards are not liable to carry out any type of servicing work, under the guarantee.
- 6 Plastic filters for all Morphy Richards kettles and coffee makers are not covered by the guarantee.

This guarantee does not confer any rights other than those expressly set out above and does not cover any claims for consequential loss or damage. This guarantee is offered as an additional benefit and does not affect your statutory rights as a consumer.

- This guarantee is valid in the UK and Ireland only.

morphy richards®

The After Sales Division
Morphy Richards Ltd, Mexborough
South Yorkshire, England, S64 8AJ

Helpline (office hours)
UK **0870 060 2611**
Republic of Ireland **1800 409119**